

0.1-40GHz Broadband Frequency Divider, /8

2022-6-1



Description:

AT-FD8-40H1 is low noise divide-by-8 frequency divider with 2.92mm Female input connector. This device operates from 100MHz to 40GHz with a single 5V supply

This divider offers SSB phase noise of -152dBc/Hz at 100kHz, which helps the user maintain excellent system noise performance. Differential input and differential output is available according to request.

More information, visit www.atmicrowave.com

Feature

- ✓ Wideband coverage
- ✓ Low SSB phase noise
- ✓ Low current
- ✓ Small Size

Application

- ✓ 5G Systems
- ✓ Raday System
- ✓ Test Equipment
- ✓ ROF (RF Over Fiber)

Electronical Specifications:

Parameter	Min	Typical	Max
Input Frequency Range(Note)		0.1-36GHz	40GHz
Input Power	-20dBm -5dBm	2-30GHz: 0dBm 30-36GHz: 0dBm	+7dBm +5dBm
Divider Rate		/8	
Output Frequency		0.0125-5GHz	
Output Power	-8dBm	-3dBm	
Vdd		+5V	+8V
Current		60mA	
Spec Temp		25C	

Note: The frequency divider has very narrow sensitive window from 38-40GHz.





AT-FD8-40H1

0.1-40GHz Frequency Divider by8

Mechanical Information

Item	Description
Input Port	2.92mm Female
Output Port	SMA Female
Case Material	Copper
Finish	Gold Plated
Weight	50g
Size:	See outline

Absolute Maximum Ratings Table

Parameter	Value
Power Supply	+13V
RF Power Handling	+15dBm
Operating Temperature	-20 to 70C
Storage Temperature	-65 to +150C

Ordering Information

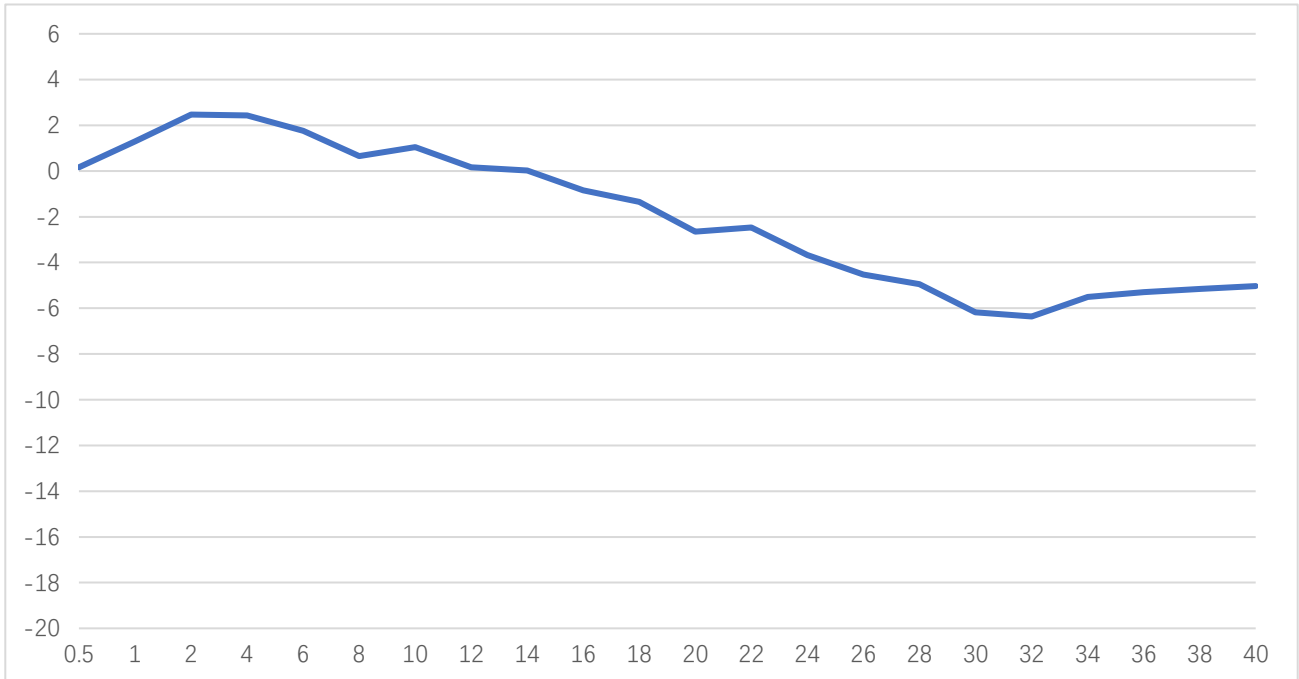
Part Number	Description
AT-FD8-40H1	Single End Port
AT-FD8-40H1-DIDO	Differential Input, Differential Output Port

Notes:

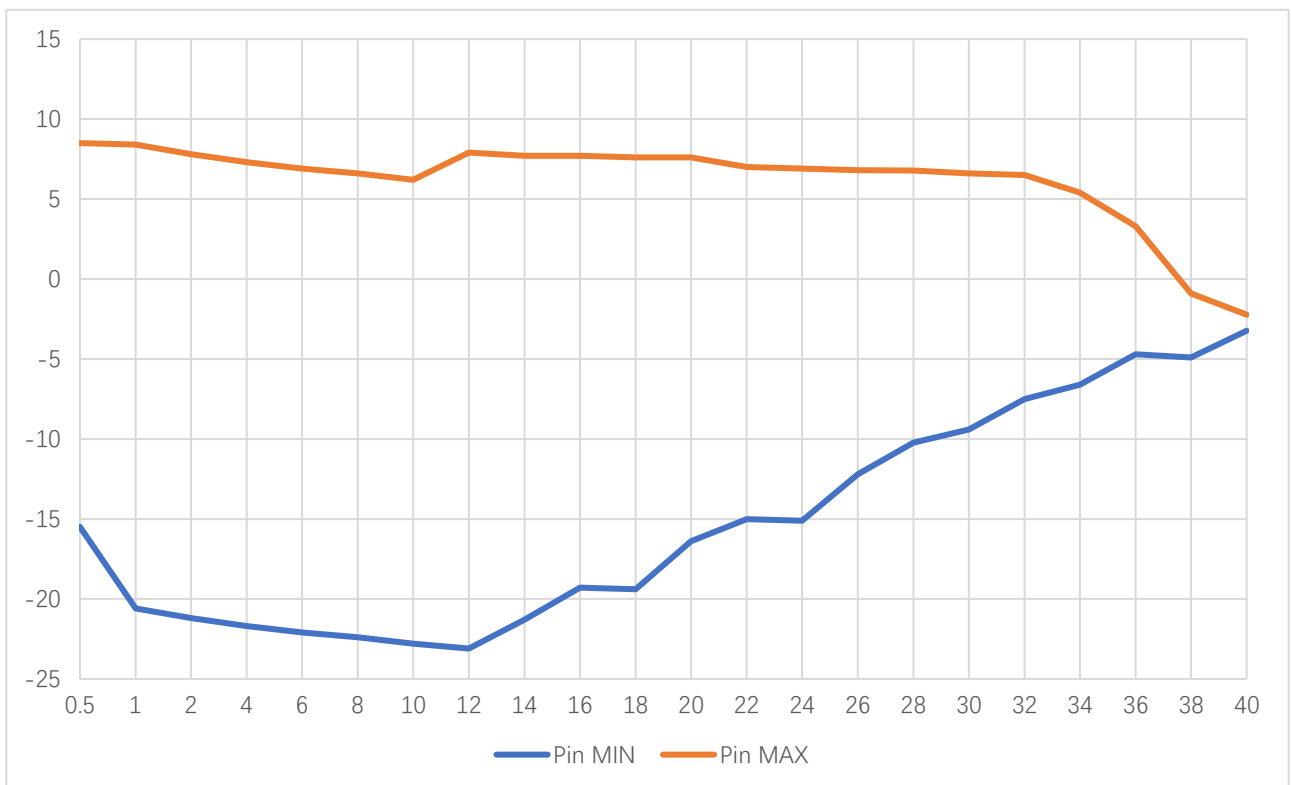
1. Datasheet may be changed according to update of MMIC, Raw materials , process, and so on.
2. This data is only for reference, not for guaranteed specifications.
3. Please contact AT Microwave team to make sure you have the most current data.



Test Data



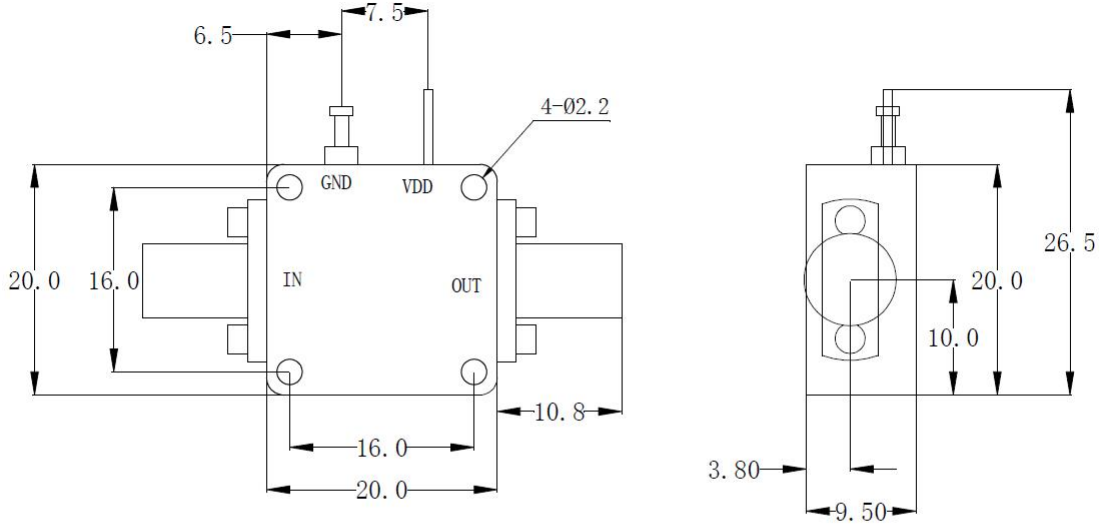
/8 Output Power vs Input Frequency, Pin = -2dBm



Input power sensitive window vs Input Frequency



Dimension: (mm)



	<26.5GHz	<40GHz	<50GHz	<67GHz
Connector	SMA	2.92mm	2.4mm	1.85mm
Lenth of a	9.4mm	9.5mm	10.8mm	11.3mm

Note: Female Default. Contact with us for other types.

